

## ROAD BIKE RIM



**23mm Width 38mm Depth**

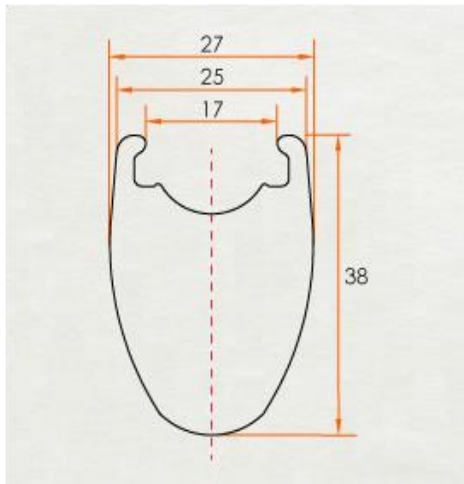
**TUBELESS COMPATIBLE**

### SPECIFICATION

Item #	NXT38C07
Type	Clincher
Material	Toray T700 Carbon Fiber
Size	700C
Width	25mm
Depth	38mm
ERD	565mm
Weight	460g
Weave	UD, 3K, 12K
Spoke Hole Dia.	4.5mm
Valve Hole Dia.	6.5mm
Assembly Hole Dia.	7.5mm
Hole count	16,18,20,24,28,32,36
Application	Road / Triathlon / TT / Cyclocross



### PROFILE



### RECOMMENDATION

Max Tire Pressure	140psi
Max Spoke Tension	130kgf
Max Weight Limit	110kg
Spoke Nipple Length	14mm / 16mm

### FEATRURES

**Basalt Braking Surface:** This rim has a high-temperature resistant basalt braking surface that dissipates heat build-up and provides consistently solid braking, even in hot temperatures on long descents. No Aluminum braking surface needed! Less rotational weight = faster acceleration!