

# MTB 29" RIM

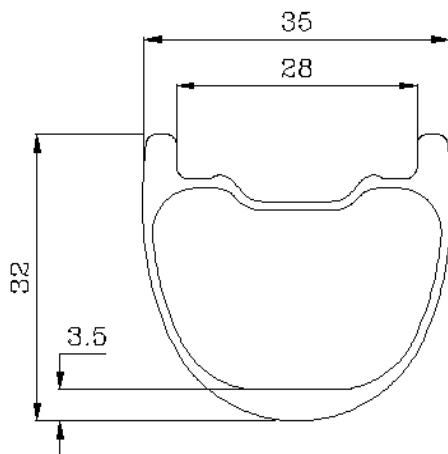


## 35mm WIDTH 29" TUBELESS COMPATIBLE

### SPECIFICATION

Item #	NXT29AM35
Type	Clincher/Hookless
Material	Toray T700 Carbon
Size	29"
Width	35mm
Depth	32mm
ERD	575mm
ETRTO	622*28mm
Weight	450+/-15g
Weave	UD, 3K, 12K
Spoke Hole Dia.	4.5mm
Valve Hole Dia.	6.5mm
Assembly Hole Dia.	7.5mm
Application	AM / Enduro...

### PROFILE



### RECOMMENDATION

Max Tire Pressure	60psi
Max Spoke Tension	130kgf
Max Weight Limit	180kg
Tire Size	2.1"~2.75"

### FEATRURES

#### 35mm X-Width:

The wider the rim, the better the contact patch with the ground for tires.

Also, the air volume in the tire increases, smoothing out the small bumps that cause your hands and wrists to get cramped up.

#### Tubeless Compatible:

This function allows you to run tubeless perfectly.

#### AIO System:

The AIO (all in one) system is another technical method to strengthen the rim by using long and continuous carbon fiber layers to wrap into rim. For only one overlap of a layer circle, not only can it keep

