

MTB 27.5" RIM



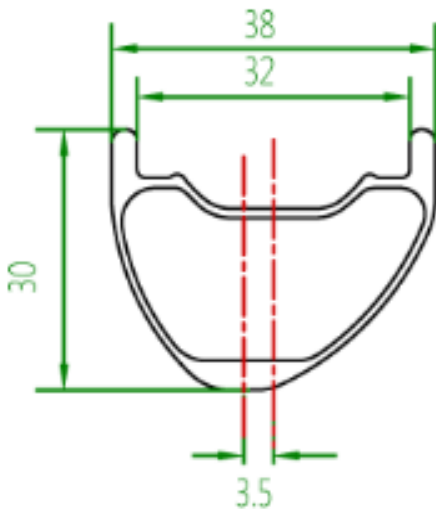
38mm WIDTH 27.5"

TUBELESS COMPATIBLE

SPECIFICATION

Item #	NXT27WC38
Type	Clincher Hookless
Material	Toray T700 Carbon
Size	27.5"
Width	38mm
Depth	30mm
ERD	541mm
ETRTO	584*32mm
Weight	440+/-15g
Weave	UD, 3K, 12K
Spoke Hole Dia.	4.5mm
Valve Hole Dia.	6.5mm
Assembly Hole Dia.	7.5mm
Application	XC / AM / Trail / Enduro

PROFILE



RECOMMENDATION

Max Tire Pressure	60psi
Max Spoke Tension	150kgf
Max Weight Limit	150kg
Tire Size	2.2"~2.75"

FEATRURES

38mm XL-Width:

The wider the rim, the better the contact patch with the ground for tires.

Also, the air volume in the tire increases, smoothing out the small bumps that cause your hands and wrists to get cramped up.

Tubeless Compatible:

This function allows you to run tubeless perfectly.

AIO System:

The AIO (all in one) system is another technical method to strengthen the rim by using long and continuous carbon fiber layers to wrap into rim. For only one overlap of a layer circle, not only can it keep the original continuous strength of carbon fiber layers, but also it