

## MTB 27.5" RIM



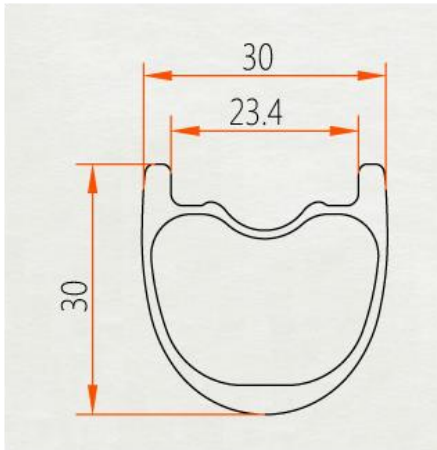
**30mm WIDTH 27.5"**

**TUBELESS COMPATIBLE**

### SPECIFICATION

Item #	NXT27RM30
Type	Clincher Hookless
Material	Toray T700 Carbon
Size	27.5"
Width	30mm
Depth	30mm
ERD	541mm
ETRTO	584*23.4mm
Weight	380g
Weave	UD, 3K, 12K
Spoke Hole Dia.	4.5mm
Valve Hole Dia.	6.5mm
Assembly Hole Dia.	7.5mm
Application	XC / Trail / AM / Enduro...

### PROFILE



### RECOMMENDATION

Max Tire Pressure	70psi
Max Spoke Tension	130kgf
Max Weight Limit	150kg
Tire Size	2.0"~2.5"

### FEATRURES

#### 30mm X-Width:

The wider the rim, the better the contact patch with the ground for tires.

Also, the air volume in the tire increases, smoothing out the small bumps that cause your hands and wrists to get cramped up.

#### Tubeless Compatible:

This function allows you to run tubeless perfectly.

#### AIO System:

The AIO (all in one) system is another technical method to strengthen the rim by using long and continuous carbon fiber layers to wrap into rim. For only one overlap of a layer circle, not only can it keep the original continuous strength of carbon fiber layers, but also it saves weight