

MTB 27.5" RIM



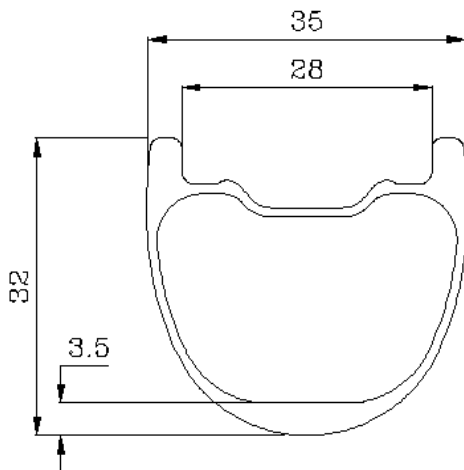
35mm WIDTH 27.5"

TUBELESS COMPATIBLE

SPECIFICATION

Item #	NXT27AM35
Type	Clincher Hookless
Material	Toray T700 Carbon
Size	27.5"
Width	35mm
Depth	32mm
ERD	537mm
ETRTO	584*28mm
Weight	430+/-15g
Weave	UD, 3K, 12K
Spoke Hole Dia.	4.5mm
Valve Hole Dia.	6.5mm
Assembly Hole Dia.	7.5mm
Application	AM / Enduro...

PROFILE



RECOMMENDATION

Max Tire Pressure	60psi
Max Spoke Tension	130kgf
Max Weight Limit	180kg
Tire Size	2.1"~2.75"

FEATRURES

35mm X-Width:

The wider the rim, the better the contact patch with the ground for tires.

Also, the air volume in the tire increases, smoothing out the small bumps that cause your hands and wrists to get cramped up.

Tubeless Compatible:

This function allows you to run tubeless perfectly.

AIO System:

The AIO (all in one) system is another technical method to strengthen the rim by using long and continuous carbon fiber layers to wrap into rim. For only one overlap of a layer circle, not only can it keep the original continuous strength of carbon fiber layers, but also it saves weight

